

# PLASMA-RS1

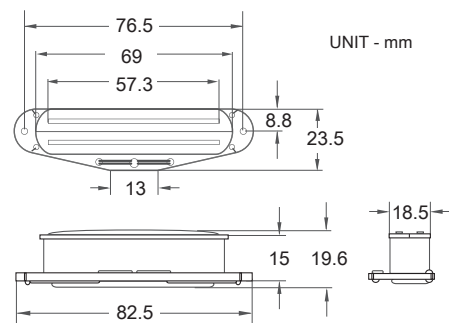
The Plasma-RS1 is the answer for those musicians who have guitars equipped with single coil pickups, yet demand a fuller and clearer tone. The Rail-Humbucker allows the installation of a humbucker in a single coil equipped guitar. This full range pickup allows the user to achieve natural balanced tones, even clarity and the quality one would expect from premium high end pickups. The Plasma-RS1 is available in perfectly balanced neck, middle and bridge position. Made with American made plain enamel copper wire, ceramic bar type magnets and wax potted coils for stabilization and a complete, clean sound reproduction. Equipped with 4 wire leads that give the player endless tonal possibilities and calibrated for total tonal balance.



Position	D.C.Resistance	Resonant Peak	Spacing	Output Level	Tone Chart:
<b>NECK:</b>	7.4 kohm	6.5 kHz	57.3 mm	MID-HIGH	
<b>MIDDLE:</b>	7.4 kohm	6.5 kHz	57.3 mm	MID-HIGH	
<b>BRIDGE:</b>	9.7 kohm	5.3 kHz	57.3 mm	HIGH	

**MORE INFORMATION**

<p><b>Type:</b> DUAL COIL</p> <p><b>Copper Wire:</b> PLAIN ENAMEL</p> <p><b>Magnet:</b> CERAMIC (BAR)</p>	<p><b>4-CONDUCTOR WIRE:</b> RED-HOT WHITE &amp; BLACK-CENTER GREEN &amp; SHIELD GROUND</p>	<p><b>PICKUP COLOR:</b> BLACK, WHITE</p>	<p><b>MUSIC STYLES:</b> ROCK, METAL, POP</p>
---	--	--	--



Neck & Middle & Bridge